

## Technical data sheet XMP-TMC2370 / XMP-TMC2380 Card reader

### LEGIC® Card reader for access control systems

#### Performance:

- Contact less card reader for access control
- Reads serial numbers (UID) and segment information's of LEGIC® advant & LEGIC® prime badges (CTC, RF-standard, ISO14443A, ISO15693)
- LEGIC® SM4200 Chip
- Reading distance: 10 to 60mm (depends on badge)
- Connection possibility of up to 8 readers (XMP-K32/-K32SX) or 2 readers (XMP-K12) over SecuCrypt® protocol
- Encrypted communication via Blowfish or AES256
- Possibility of firmware updating over SecuCrypt® protocol
- Adjustable address via dip switch
- Tamper contact
- Optionally with Sensor PIN-CODE keyboard (XMP-TMC2384)
- Signaling elements: 3x LED, 1x buzzer
- impact proofed housing (ABS)
- Standard housing for mounting in standard outlet sockets
- Possibility of surface mounting by using finery frames (Accessory: XMP-TMC-850)
- Potted electronic

#### Technical Data:

<b>Case:</b>	ABS material (impact-proofed housing)
<b>Color:</b>	Silver RAL9006/9007
<b>Dimensions (LxWxH):</b>	90 x 90 x 21mm
<b>Protection type:</b>	IP 54
<b>Supply voltage:</b>	12-24 V (AC / DC)
<b>Current consumption:</b>	Approx. 110 mA / 12V DC Approx. 55 mA / 24V DC
<b>Environmental conditions:</b>	From -20°C to +75°C operation and storage
<b>Interfaces:</b>	RS485 (2 wire) 9600 – 19200 Baud
<b>Processor:</b>	M16C/65 R5F3650TDFA
<b>Program memory:</b>	768KB Flash, 47KB RAM
<b>LEGIC Chip</b>	SM4200

#### Important customer information!

Defective circuit boards must be disposed in competent manner. Old batteries and accumulators are hazardous waste. The package can be used again or can be disposed. The green filling material can be disposed as bio waste.

For installing of the card readers a W3TM24P version 3.1s is required. Please find additional hint in document EXMP-TMC22\_23xx\_CONFIG.pdf.

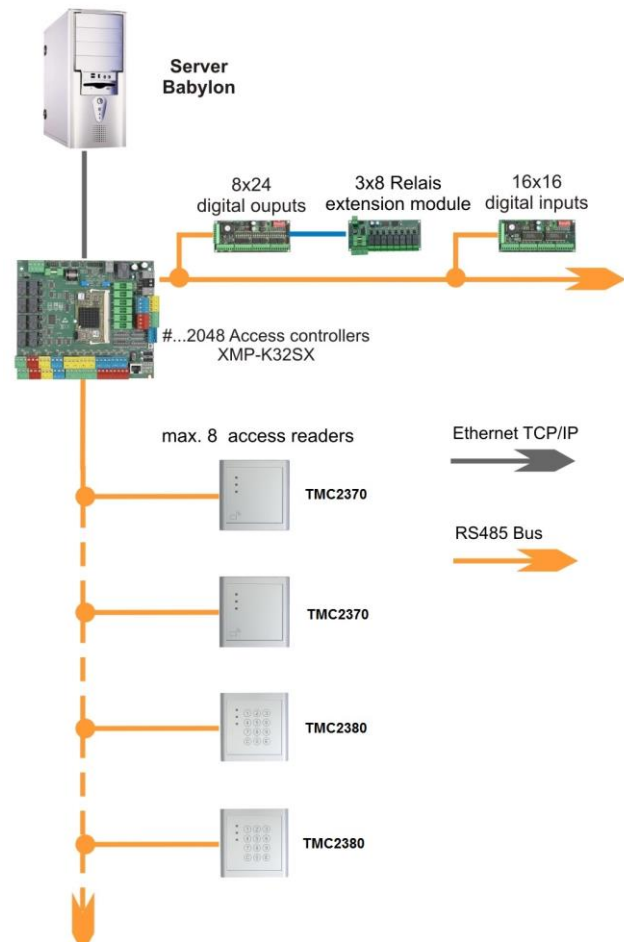


XMP-TMC2370



XMP-TMC2380

### System Architecture



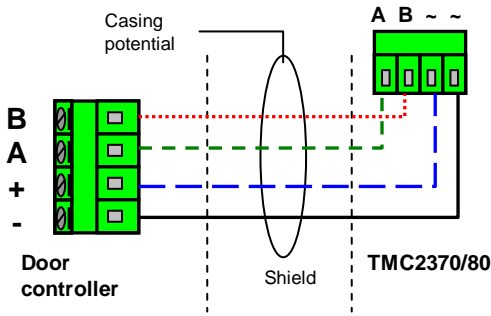
#### Legend:

**XMP-K32:** Intelligent door control unit with RS485- and 10/100Mbit LAN interface. It is equipped with a Linux operating system.  
**500.000** badges, **100.000** access profiles (extendable on demand), **500.000** bookings.

#### Order number:

**XMP-TMC2370**  
**XMP-TMC2380 with PIN-Code**

**Scheme of connecting from the reader to the door controller XMP-K12 or XMP-K32:**



TMC2380 TMC2370	XMP-K32 (R1..R4)	Description
~	+ / -	Power supply
~	+ / -	Power supply
B	B	Reader interface RS485
A	A	Reader interface RS485

**Hints for wiring:**

The power supply can be provided central by the **XMP-K12/ XMP-K32** (recommendation). The connection can be realized star- or bus-like. Note the following distances:

Distance	cable type
Up to 100 m (12V)	2x2x0,8 (shielded)
Up to 200 m (24V)	2x2x0,8 (shielded)

(power supply via door controller)

**Meaning of the micro switches SW1:**

Switch	Meaning
1-3	For binary setting of the reader addresses 0..7 (e.g. only switch 1 = ON → reader address 1, or only switch 3 = ON → reader address 4, or 1, 2 and 3 = ON → reader address 7)
4	Default OFF
5	Baud rate setting to K32 OFF: 9600 (suggested); ON = 19200
6	ON = UCI-Protocol
7	Reserved
8	ON = Boot loader activated

**Meaning of the LEDs:**

- yellow: operation state
- yellow blinking: no communication
- red: not authorized
- green: authorized
- Reverse side D4: communication TXD
- Reverse side D5: communication RXD

**Details for reading technology LEGIC®:**

The XMP-TMC2370/2380 reads the serial badge number or memory information from LEGIC® advant and LEGIC® prime cards. In case of activated SecuCrypt® communication protocol the reading specifications can be set into the reader by the XMP-BABYLON utility program **W3TM24P** with register card "LEGIC".

Specific settings like CRC, memory segment and search string must be defined by installer.

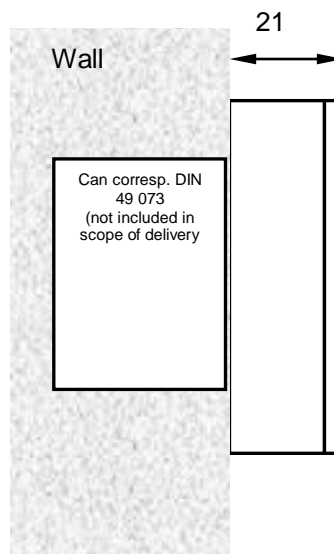
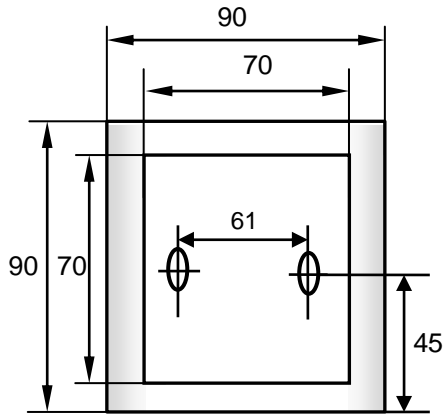
**Remarks to reading distance:**

In dependence on the environment conditions and types of data carrier the reading distance is between 10 and 60 mm.

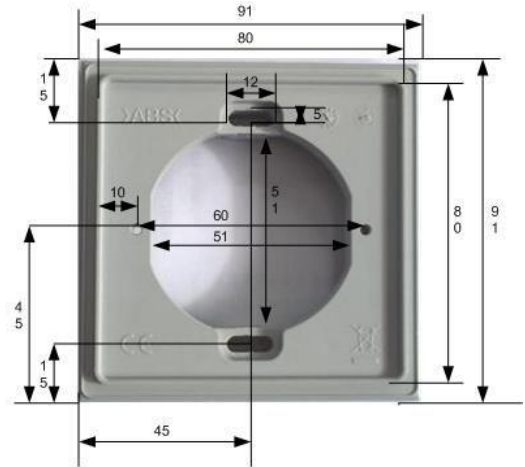
Metal particles within the distance of 120 mm to the reader can reduce the reading distance.

Recommended badge types: LEGIC® advant (LEGIC-RF-standard, ISO14443A, ISO15693), LEGIC® prime

**Build in dimensions in mm:**



## Dimensions spacer frame in mm:



Card reader with stable finery frame **XMP-TMC-850**  
Frame dimensions: 91.0 x 91.0 x 21.0mm

Issued by  
Autec Gesellschaft für Automationstechnik mbH  
Bahnhofstrasse 57+61b  
D-55234 Framersheim  
Email: [vk@autec-gmbh.de](mailto:vk@autec-gmbh.de)  
Tel.: +49 (0) 6733 92 01-0  
Fax: +49 (0) 6733 92 01-91  
[www.autec-gmbh.de](http://www.autec-gmbh.de)  
[www.autec-security.com](http://www.autec-security.com)

© 2016 Copyright by AUTEC für Automationstechnik mbH



Changes and errors excepted