

Switching module

Fields of application

- Security
- Control of presence indicator boards
- Elevator control
- Barrier control

Functions

The **XMP-KDA24** has multiple applications. First of all it extends the door controllers **XMP-K24^{plus}** and **XMP-K32** with additional 24 binary outputs. These outputs can be used for interfacing security components or realising elevator control applications. In connection with corresponding relays the device can be inserted in all applications where binary switching processes are applied. The **XMP-KDA24** can be connected to the reader interface of the **XMP-K24^{plus}** or in the case of applying a **XMP-K32** to the second RS485 interface which is specified for the extension modules.

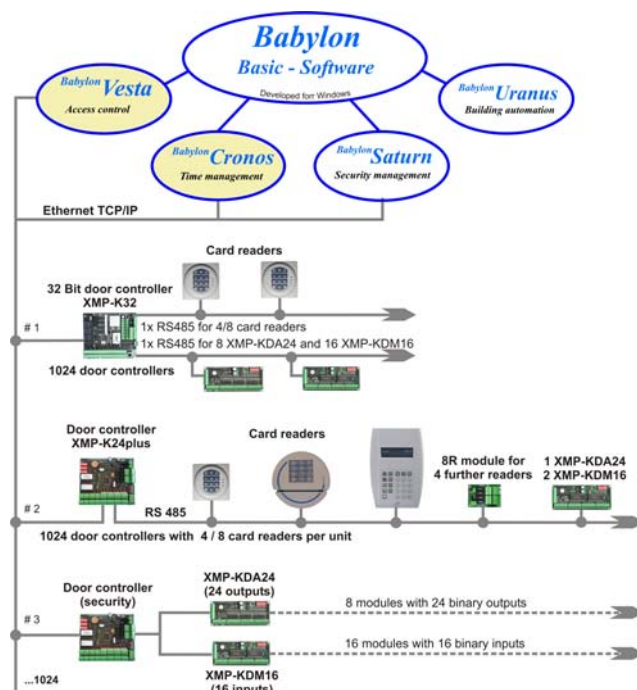
Technical data

Outputs:	24 binary transistor outputs
Power supply:	12 V.. 24V AC/ DC via XMP-K24^{plus} / XMP-K32 or separately
Power supply for the outputs:	External power supply: $U_{max} = 48 \text{ V DC}$ $P_{max} \text{ (per output)} = 150 \text{ mW}$
Max. distance:	200m (using the power supply from XMP-K24^{plus} / XMP-K32); 1500m (using a separate power supply)
Current consumption:	Approx. 130 mA
Interfaces:	RS485 two wire (connection and forwarding the bus)
Processor:	AT89C51
Environmental conditions :	Operation: 0..50 °C Storage: -40..70 °C
Dimensions:	(H×W×D) 59 x 139 x 25 mm

Extension module with 24 binary outputs



XMP-KDA-024

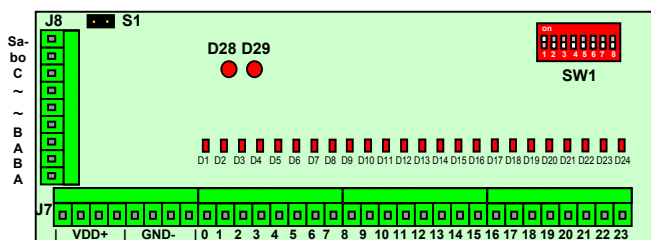


Scheme for the connection possibilities of the XMP-KDA24 to the door controllers

XMP-K24^{plus}: Intelligent door control unit for the connection of up to 4 (max. 8) access terminals. It is equipped with 8 binary outputs and 16 binary inputs for the door control but also useful for other controlling tasks.

XMP-K32: Intelligent door control unit with 10/100 Mbit LAN interface. 266MHz 32 bit processor with Linux embedded operating system. **100.000** access profiles, **500.000** master data (extendable on **2.000.000**), **500.000** bookings.

Order number: XMP-KDA-024



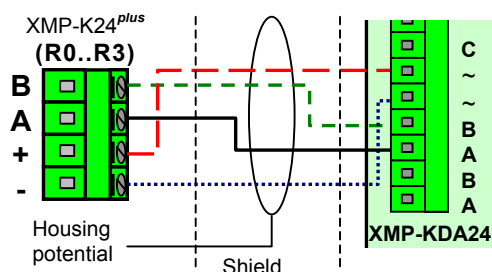
Scheme of the XMP-KDA24 circuit board

- J8:** Connection terminals for voltage supply (12V/24V AC/DC), RS485 communication connection and forwarding, shield and sabotage contact connection
- SW1:** Micro switch block for addressing
- D28:** LED transmit (TxD)
- D29:** LED receive (RxD)
- D1..D24:** Status LED; on – if output is set
- S1:** Plug for sabotage switch
- VDD+:** 12..24Volt DC (only direct voltage)
- GND-:** Ground
- 00-23:** Open collector output (GND switched)

Connection possibilities

Per XMP-K24^{plus} (standard) one XMP-KDA24 can be connected using the reader interface as seen also in the scheme on the preceding page. If the XMP-K24^{plus} is equipped with a special 'security' firmware it is possible to connect up to 8 XMP-KDA24 using the reader interface at the same way. However, card readers do not work in this communication line! Contrary to the XMP-K24^{plus} the XMP-K32 offers the possibility to connect card readers and – at the same time – to communicate with up to 8 XMP-KDA24 modules which can be connected to a separate communication line. The XMP-KDA24 modules must be powered with 12V DC at a maximum current of 130 mA.

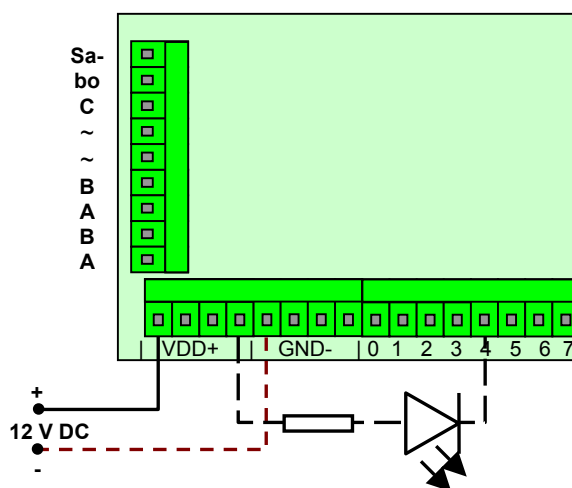
Connection to a XMP-K24^{plus}



Scheme for the connection of a XMP-KDA24 to a XMP-K24^{plus}

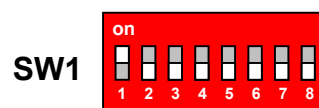
Attention

Please check the dimension of the current value of the used reader fuses.



Example for the connection of a LED to the XMP-KDA24

Meaning of the micro switches



Addressing

Switch	Meaning
1..3	Binary addressing of the XMP-KDA24 (addr. 0..7) Examples: 1 = on → Addr. 1 2 = on → Addr. 3 1, 2, 3 = on → Addr. 7

Baud rate

Switch	Meaning
8	off = 9600 Baud on = 19200 Baud

Switches 4..7 are without function at the moment.

Attention

In case of connecting the XMP-KDA24 to the XMP-K24^{plus} (standard) the hardware address 1 must be set for the XMP-KDA24.

Dimensions

